

GROUP ASSEMBLY PARTS LIST

Figure and Index Number	SPCC-MFR Number	Hamilton Part Number	Part Name	Units Per Assy.
52-27	H18-HM-10144	*37104-1	Hairspring	1
52-28	H18-HM-10145	37105	Collet - Hairspring	1
52-29	H18-HM-10146	37088	Pin - Hairspring	1
52-30	H18-HM-10147	37106	Stud - Hairspring	1
52-29	H18-HM-10146	37088	Pin - Hairspring stud	1
	H18-HM-10148	*33510A	Bridge - Pallet, complete with 2 jewels	1
52-31	H18-HM-10149	35768	Screw - Pallet bridge	2
52-32	H18-HM-10150	33510	Bridge - Pallet	1
52-11	H18-HM-10110	33171	Setting - Pallet upper, complete with jewel	1
52-33	H18-HM-10152	33014	Cap - Pallet upper endstone, complete with jewel	1
52-34	H18-HM-10153	2784	Screw - Pallet upper endstone cap	1
	H18-HM-10154	33132	Pallet - Escapement, complete with arbor and jewels	1
52-35	H18-HM-10155	*33132-1	Pallet - Escapement, complete with guard pin	1
52-36	H18-HM-10156	35107	Jewel - Discharging pallet "L" stone	1
52-37	H18-HM-10157	35108	Jewel - Receiving pallet "R" stone	1
52-38	H18-HM-10159	*33222	Arbor - Pallet	1

GROUP ASSEMBLY PARTS LIST

Figure and Index Number	SPCC-MFR Number	Hamilton Part Number	Part Name	Units Per Assy.
	H18-HM-10076	37117	Watch Movement - Chronometer, 35-size, model 22	Ref.
53-1	H18-HM-10160	37026	Bridge - Train, complete with steady pins	1
53-2	H18-HM-10109	42056	Screw - Train bridge	4
53-3	H18-HM-10162	37041	Setting - Fourth upper, complete with jewel	1
53-3	H18-HM-10162	37041	Setting - Third upper, complete with jewel	1
53-4	H18-HM-10163	37043	Cap - Escape upper endstone, complete with jewel	1
53-5	H18-HM-10112	37102	Screw - Escape upper endstone	1
53-6	H18-HM-10110	33171	Setting - Escape upper, complete with jewel	1
53-7	H18-HM-10166	37040	Setting - Center upper, complete with jewel	1
53-8	H18-HM-10167	37076	Wheel - Center, complete with pinion	1
53-9	H18-HM-10168	37078	Wheel - Third, complete with pinion	1
53-10	H18-HM-10169	37080	Wheel - Fourth, complete with pinion	1
53-11	H18-HM-10170	37082	Wheel - Escape, complete with pinion	1
53-12	H18-HM-10171	37060	Cap - Winding wheel	1
53-13	H18-HM-10164	35779	Screw - Winding wheel	1

\*Not recommended for stocking.

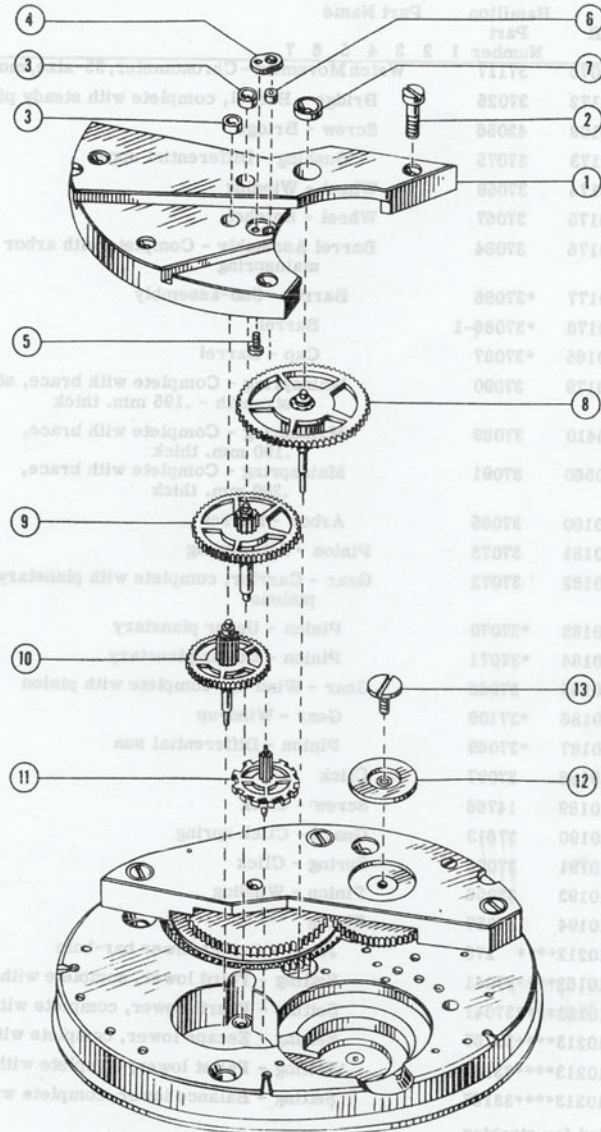


Figure 53